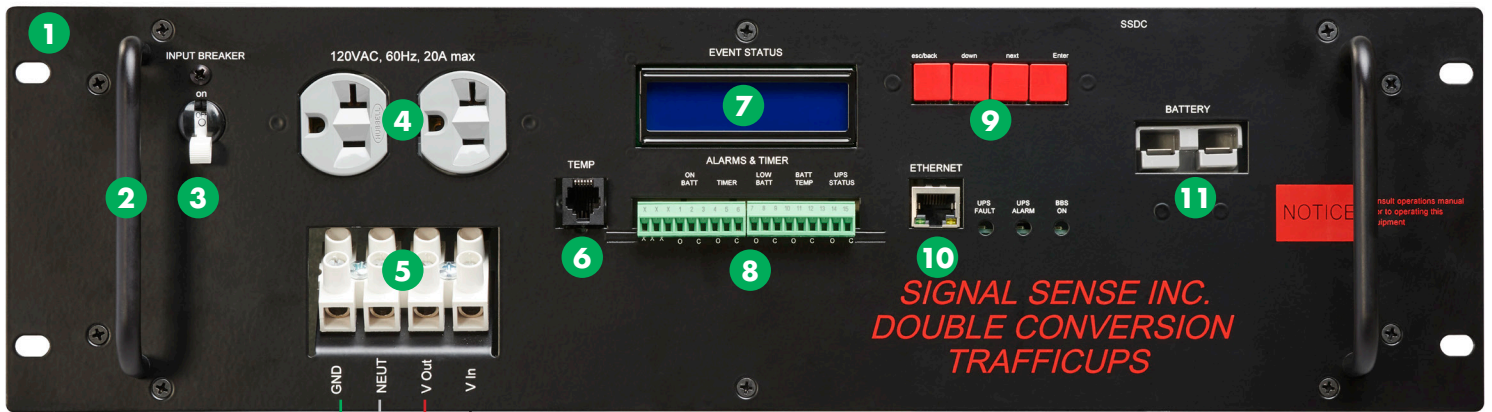
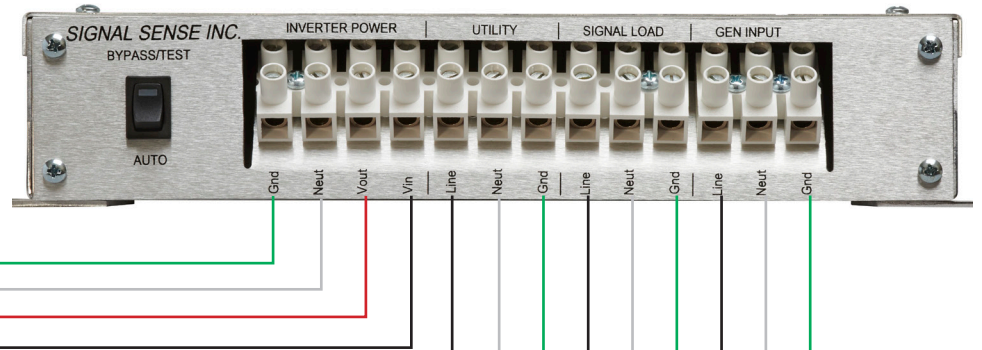


AUTOMATIC TRANSFER SWITCH POWER MANAGEMENT MODULE (ATS/PMM) WIRING



#10awg



- 1 19" Rack Mountable Faceplate
- 2 Carrying Handles
- 3 30A Circuit Breaker
- 4 Convenience Outlet
- 5 Inverter Power Block
- 6 Battery Temperature Sensor
- 7 LCD Event Status Screen
- 8 Alarm & Timer Terminal Block
- 9 Programmable Keypad
- 10 Ethernet Port
- 11 Anderson Battery Connector

AC+AC-GND **AC+AC-GND** **AC+AC-GND**
From Utility To Cabinet From Generator

WARNING: Make sure utility power and breaker on inverter are off before installing. Connect wires from inverter first and then to Power Management Module (PMM). If stranded wires are used ferules or equivalent crimping terminals may be used. Screw Tightening Torque: UL: 16.0 lbf·in

